

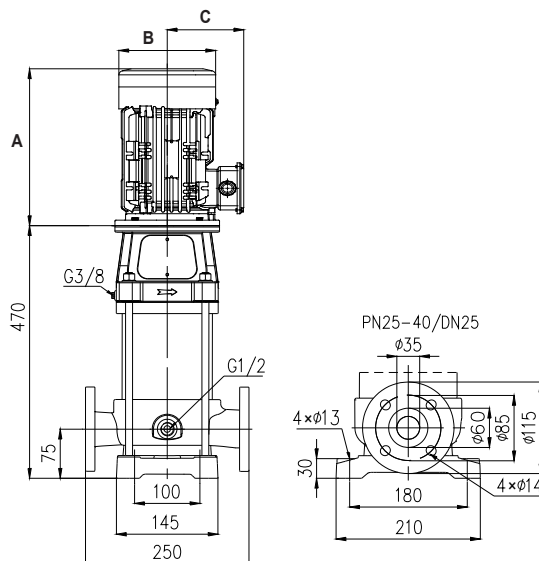
TECHNICAL DATA

RATED FLOW [M3/H]	1 m3/h
MAX FLOW	2.4m3/h
MAX HEAD	118.7M
OPTIMUM OPERATING RANGE @ 50HZ	0.61m3/hr @ 115.6m 20.2% eff 1.25m3/hr @ 109.0m 34% eff
WORKING AIR TEMP	0°C - 40°C
LIQUID TEMPERATURE	-15°C - 120°C
HIGHEST EFFICIENCY	49%
MAXIMUM PUMP PRESSURE	33 bar
NET WEIGHT (KG)	25.2 kg

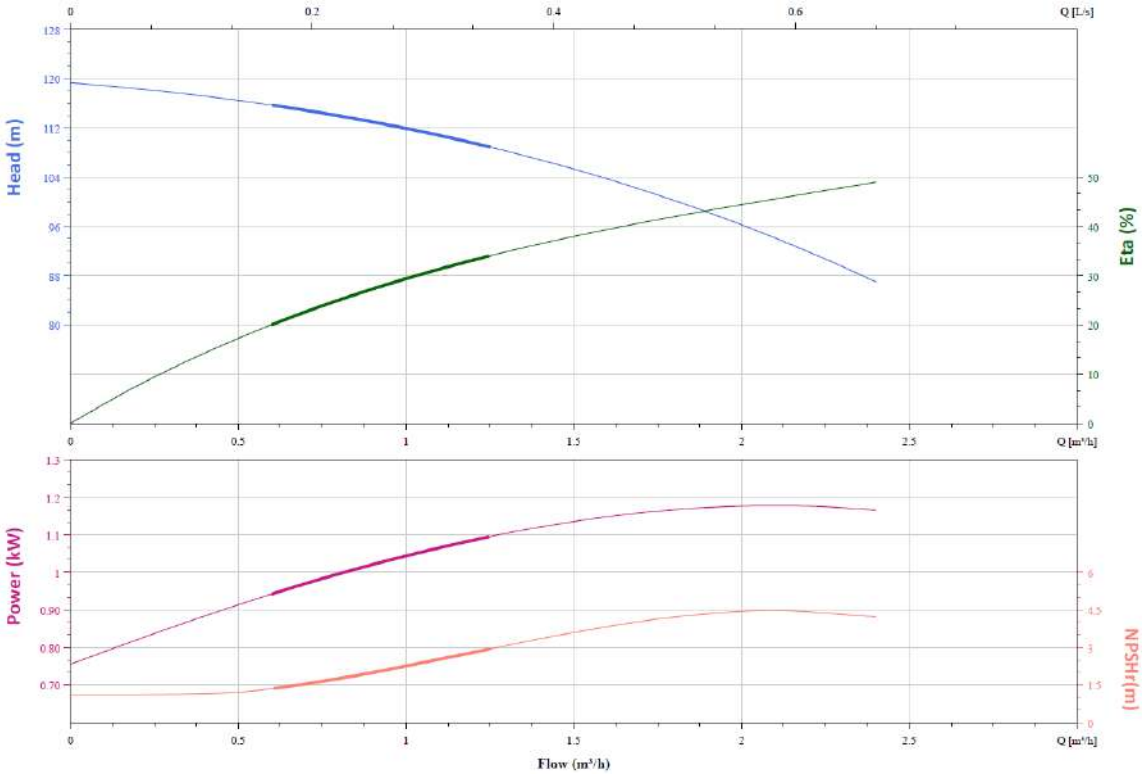
RATED VOLTAGE/CURRENT	3~ 230V +10% - 6% 2.94A 3~ 415V +10% - 6% 1.68A
POWER (KW)	0.75kW 2 pole
MOTOR IP RATING	IP55
MOTOR INSULATION	Class F
MOTOR EFFICIENCY STD	I.E.3
MOTOR EFFICIENCY	80.7%
COS Ø	0.82
MECHANICAL SEAL	AS-L-12
OUTLET DIN FLANGE	DN25

DIMENSIONS

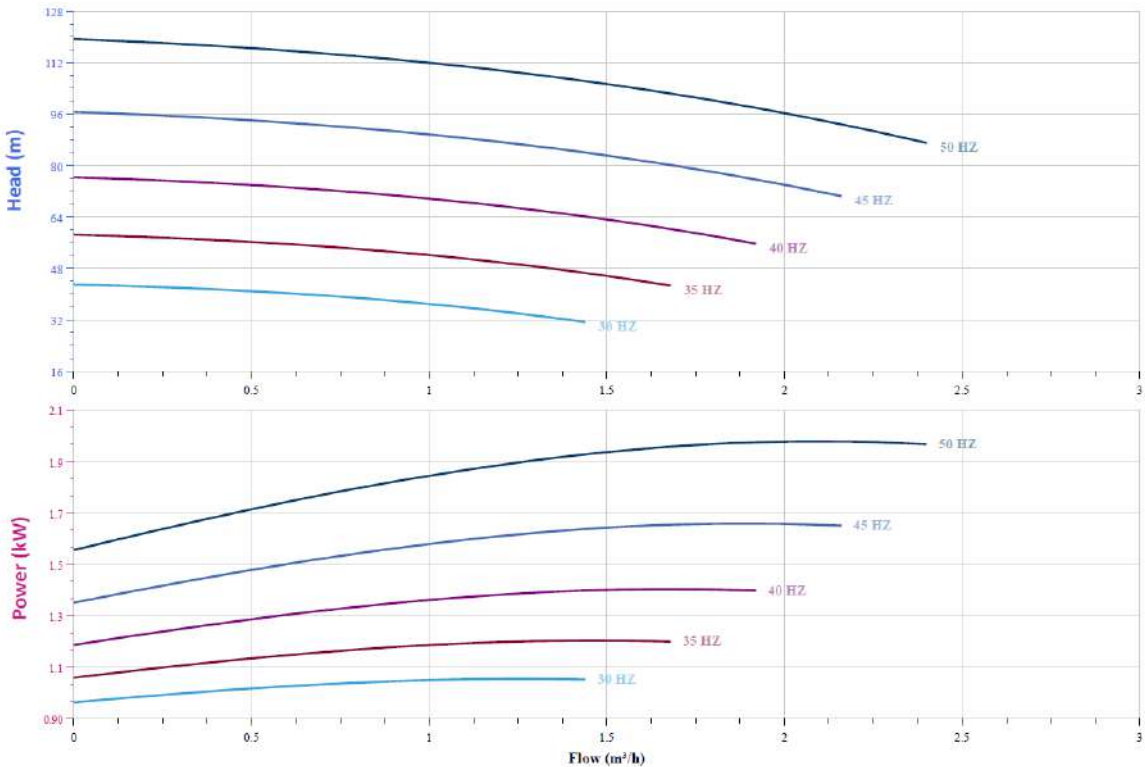
HEIGHT A	271
DIAMETER B	154
RADIUS C	124



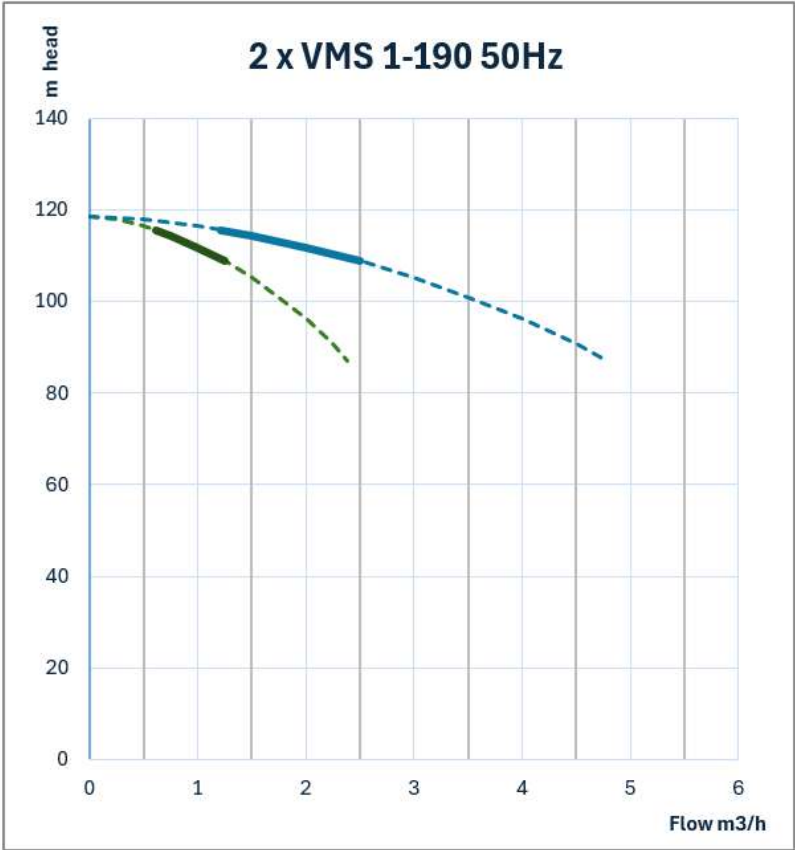
CURVE



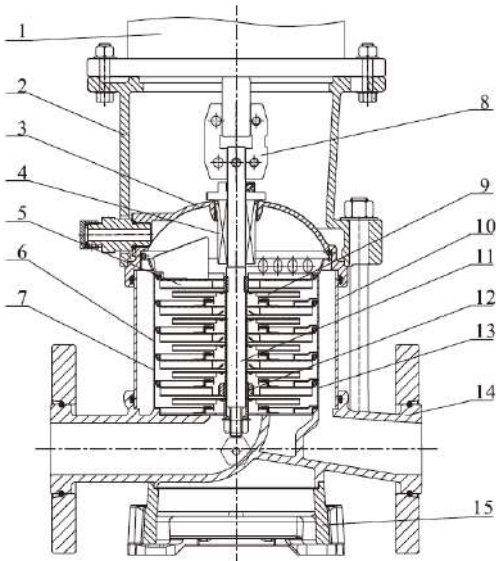
VFD CURVE



TWIN PUMP CURVE



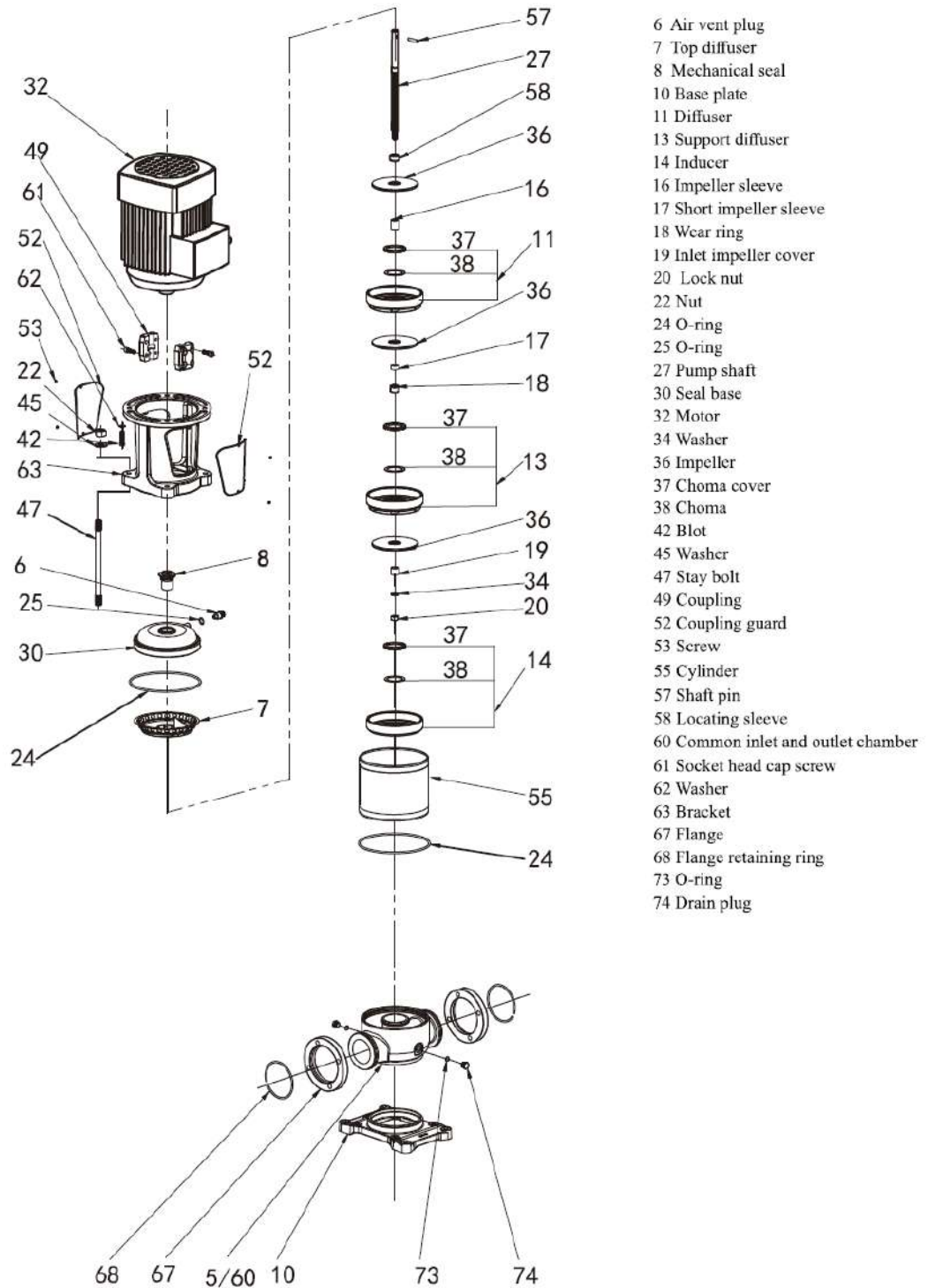
CUTAWAY AND MATERIALS



1	Motor	/
2	Bracket	Ductile Cast Iron
3	Seal Base	Stainless / Ductile Cast Iron
4	Mechanical Seal	AS-L-16
5	Top Diffuser	Stainless Steel
6	Diffuser	Stainless Steel
7	Support Diffuser	Stainless Steel
8	Coupling	Stainless Steel
9	Impeller	Stainless Steel
10	Cylinder	Stainless Steel
11	Shaft	Stainless Steel
12	Intermediate Bearing	SIC / WC
13	Inducer	Stainless Steel
14	Inlet/Outlet Chamber	Stainless Steel / Ductile Cast Iron
15	Base	Ductile Cast Iron

SUMMIT SERIES VERTICAL MULTISTAGE PUMPS

BIA NXT VMS SOLAR 1-190 • 811937



WARRANTY / CERTIFICATIONS

